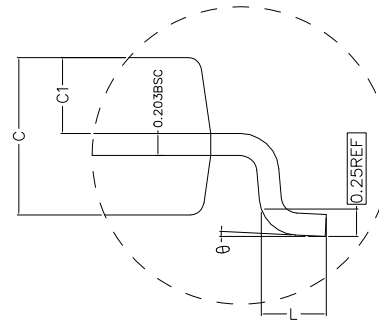
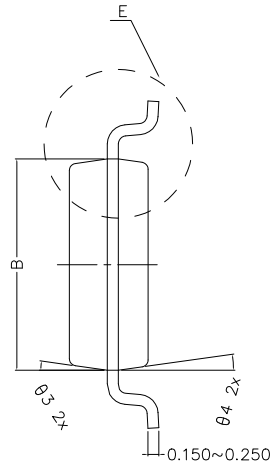
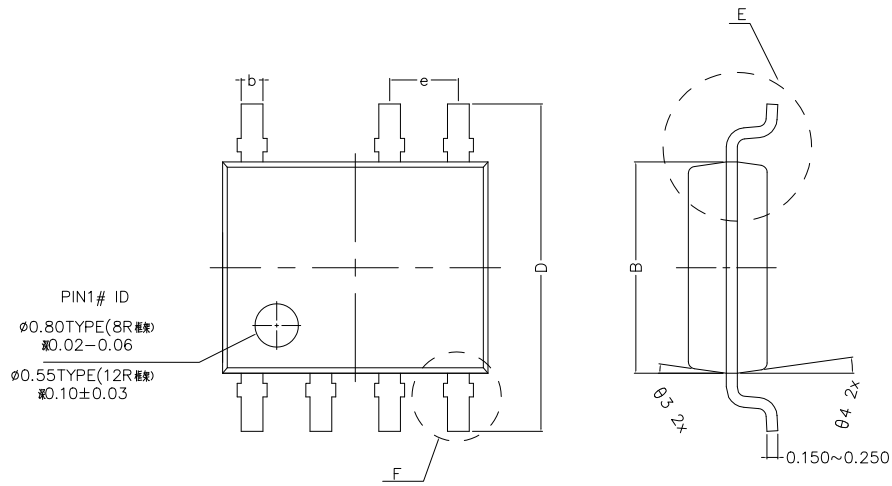
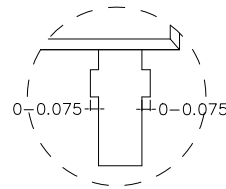
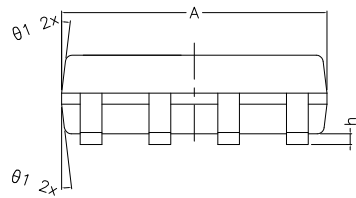


REVERSION	REVERSION RECORD	DATE	NAME
A	NEW DRAW	2019/1/12	Kang
B	UPDATE L,b DIMENSION	2021/6/22	ChenYJ



DETAIL E



DETAIL F

COMMON DIMENSIONS
(UNITS OF MEASURE IS mm)

	MIN	NORMAL	MAX
A	4.800	4.900	5.000
B	3.800	3.900	4.000
C	1.350	1.450	1.550
C1	0.650	0.700	0.750
D	5.840	6.040	6.240
Δ L	0.450	0.600	0.750
Δ b	0.350	0.400	0.450
h	0.050	0.150	0.250
e	1.270TYPE		
θ_1	7° TYPE(8R) 12° TYPE(12R)		
θ_2	7° TYPE(8R) 10° TYPE(12R)		
θ_3	8° TYPE(8R) 12° TYPE(12R)		
θ_4	8° TYPE(8R) 10° TYPE(12R)		
θ	0° ~ 8°		



深圳市金誉半导体股份有限公司
SHENZHEN JINYU SEMICONDUCTOR CO.,LTD

SOP7

THIRD ANGLE PROJECTION				SCALE	1:1	UNIT	mm
TOLERANCE				APPROVALS			DATE
0	0.0	0.00	0.000	DESIGNER	ChenYJ	2021.06.22	
				CHECKER	XieWH	2021.06.22	
				APPROVER	LinHB	2021.06.22	
DRG NO.		JY-POD-06		REV: B			
FILE NO.		JY-RE-022-06		SHEET:1 OF 1			