

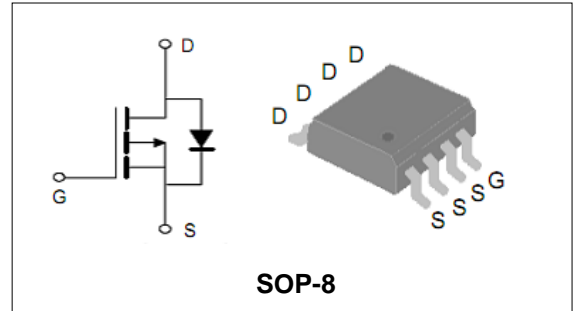
**-60V/-5A P-Channel Advanced Power MOSFET****Features**

- Improved dv/dt Capability, High Ruggedness.
- Maximum Junction Temperature Range (150°C)

BVDSS	-60	V
ID	-5	A
RDSON@VGS=-5V	81	mΩ
RDSON@VGS=-10V	67	mΩ

Applications

- DC Fan
- Brushless motor
- Optimized for Power Management Applications for Portable Products, such as H-bridge, Inverters Car Charger and Others

**Order Information**

Product	Package	Marking	Reel Size	Reel	Carton
PTS60P05	SOP-8	PTS60P05	13inch	3000PCS	48000PCS

Absolute Maximum Ratings

Symbol	Parameter	Rating	Unit	
Common Ratings (TC=25°C Unless Otherwise Noted)				
$V_{(BR)DSS}$	Drain-Source Breakdown Voltage	-60	V	
V_{GS}	Gate-Source Voltage	±20	V	
T_J	Maximum Junction Temperature	150	°C	
T_{STG}	Storage Temperature Range	-55 to 150	°C	
I_S	Diode Continuous Forward Current	TA =25°C	-5	A
Mounted on Large Heat Sink				
I_{DM}	Pulse Drain Current Tested (Silicon Limit) (Note1)	TA =25°C	-20	A
I_D	Continuous Drain current	TA =25°C	-5	A
P_D	Maximum Power Dissipation	TA =25°C	2	W
$R_{θJA}$	Thermal Resistance Junction-to-Ambient (Note2)		62.5	°C/W

**-60V/-5A P-Channel Advanced Power MOSFET**

Symbol	Parameter	Condition	Min.	Typ.	Max.	Unit
Static Electrical Characteristics @ T_J = 25°C (unless otherwise stated)						
V _{(BR)DSS}	Drain- Source Breakdown Voltage	VGS=0V ID=-250μA	-60	--	--	V
I _{DSS}	Zero Gate Voltage Drain current	VDS=-48V,VGS=0V	--	--	-1	μA
I _{GSS}	Gate-Body Leakage Current	VGS=±20V,VDS=0V	--	--	±100	nA
V _{GS(TH)}	Gate Threshold Voltage	VDS=VGS,ID=-250μA	-1	--	-2.5	V
R _{DS(ON)}	Drain-Source On-State Resistance (Note3)	VGS=-10V, ID=-5A	--	67	75	mΩ
		VGS=-5V, ID=-4A	--	81	95	mΩ
Dynamic Electrical Characteristics @ T_J = 25°C (unless otherwise stated) (Note4)						
C _{iss}	Input Capacitance	VDS= -30V, VGS=0V, F=1MHz	--	1200	--	pF
C _{oss}	Output Capacitance		--	780	--	pF
C _{rss}	Reverse Transfer Capacitance		--	385	--	pF
Q _g	Total Gate Charge	VDS= -30V, ID= -5A, VGS= -10V	--	24	--	nC
Q _{gs}	Gate-Source Charge		--	5.1	--	nC
Q _{gd}	Gate-Drain Charge		--	8	--	nC
Switching Characteristics (Note4)						
t _{d(on)}	Turn-on Delay Time	VDD=-30V, ID=-5A, RG=3Ω, VGS=-10V	--	9	--	nS
t _r	Turn-on Rise Time		--	10	--	nS
t _{d(off)}	Turn-off Delay Time		--	60	--	nS
t _f	Turn-off Fall Time		--	29	--	nS
Source- Drain Diode Characteristics @ T_J = 25°C (unless otherwise stated)						
V _{SD}	Forward on voltage (Note3)	IS=-2A,VGS=0V	--	--	-1.2	V

Note:

1. Repetitive Rating: Pulse width limited by maximum junction temperature.
2. Surface Mounted on FR4 Board, t ≤ 10 sec
3. Pulse Test: pulse width ≤ 300 us, duty cycle ≤ 2%.
4. Guaranteed by design, not subject to production testing.



-60V/-5A P-Channel Advanced Power MOSFET

Typical Characteristics

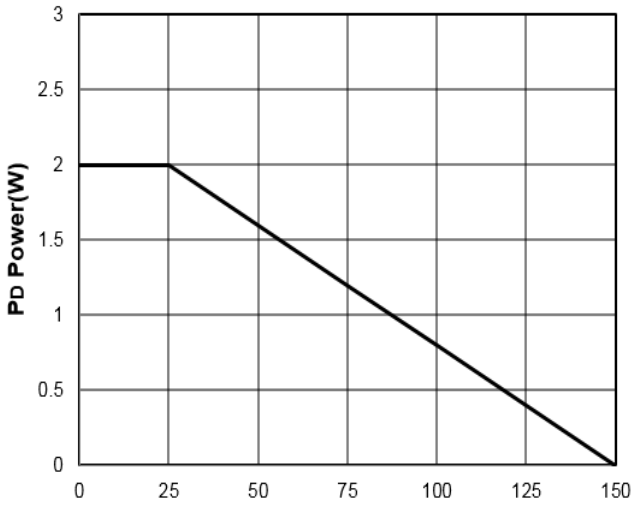


Figure1: Tj Junction Temperature (°C)

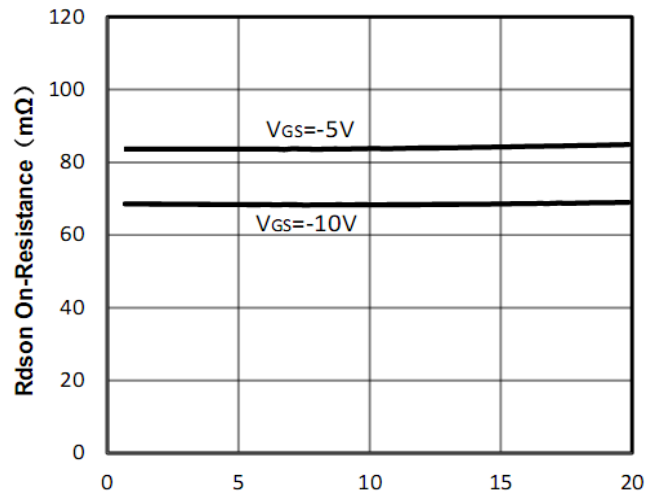


Figure2: -Id Drain Current (A)

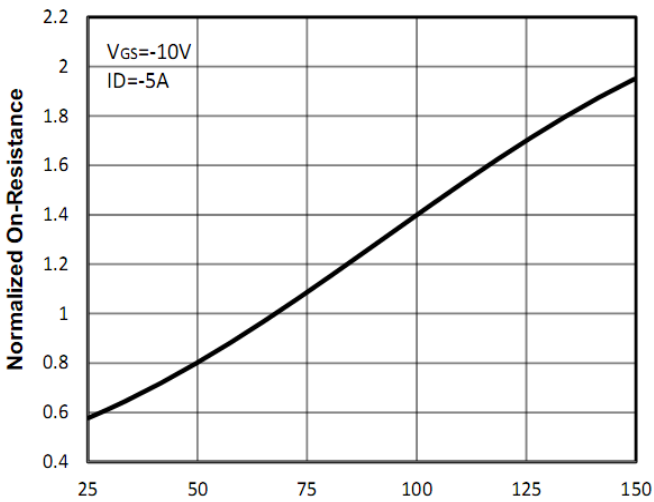


Figure3: Tj Junction Temperature (°C)

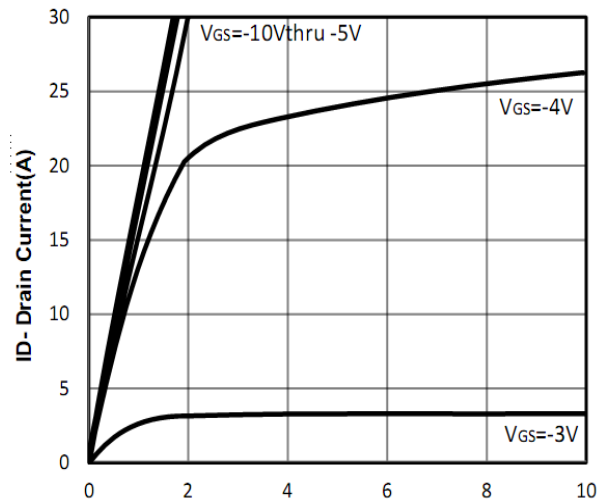


Figure4: -Vds Drain-Source Voltage (V)

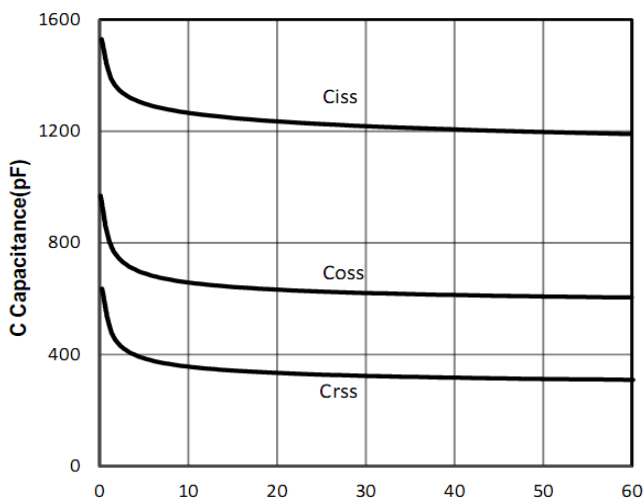


Figure5: -Vds Drain-Source Voltage (V)

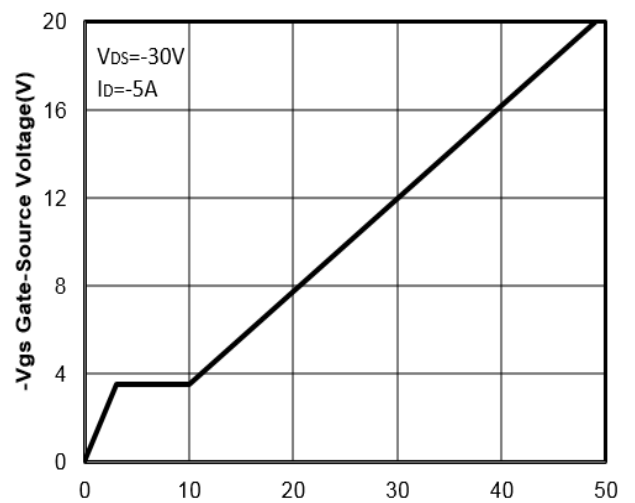


Figure6: Qg Gate Charge (nC)



-60V/-5A P-Channel Advanced Power MOSFET

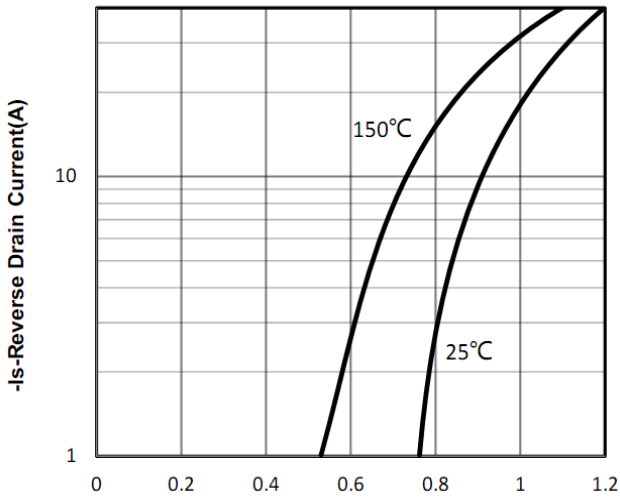


Figure7: -Vsd Source-Drain Voltage (V)

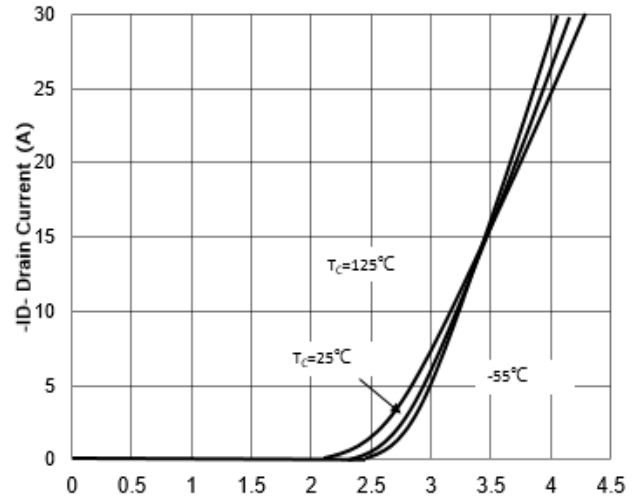


Figure8: -Vgs Gate-Source Voltage (V)

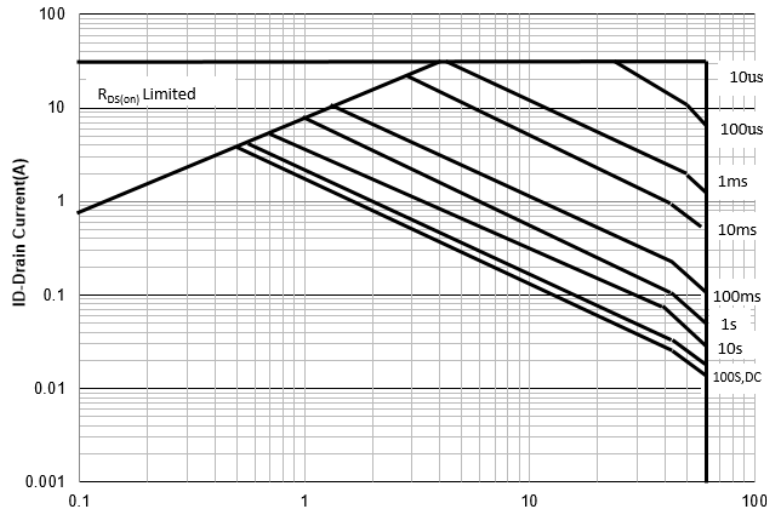


Figure9: -Vds Drain -Source Voltage (V)

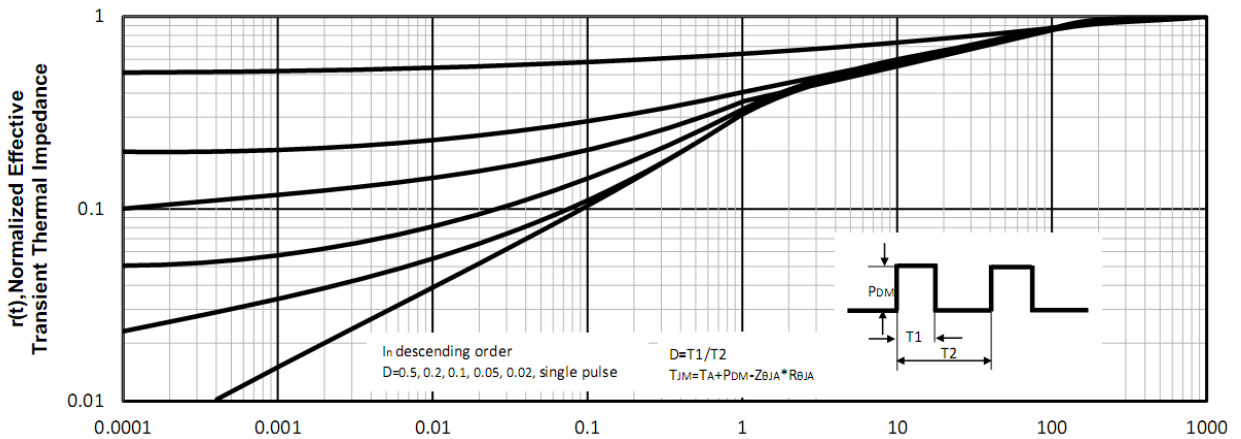


Figure10: Square Wave Pulse Duration (sec)

-60V/-5A P-Channel Advanced Power MOSFET

Test Circuit and Waveform:

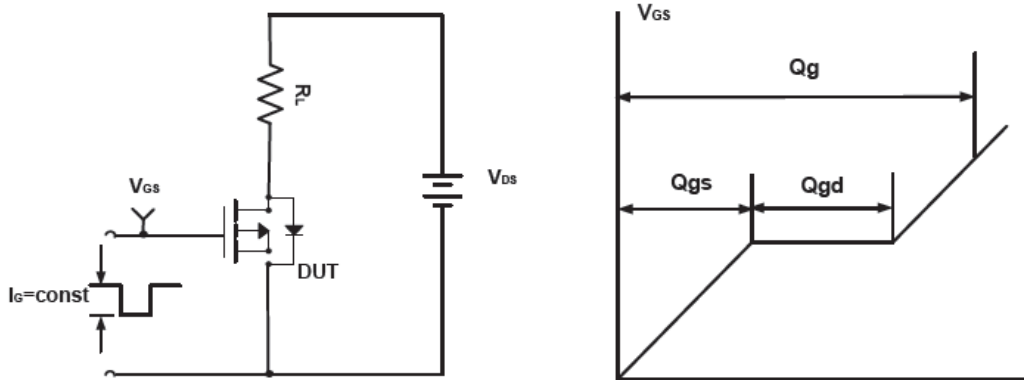


Figure A Gate Charge Test Circuit & Waveforms

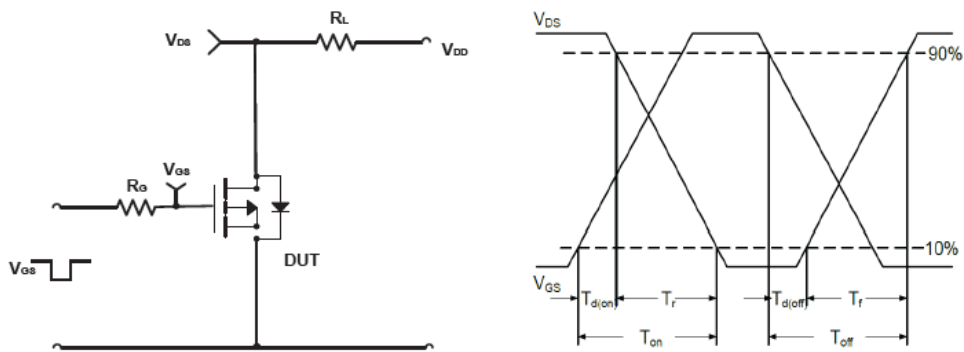


Figure B Switching Test Circuit & Waveforms

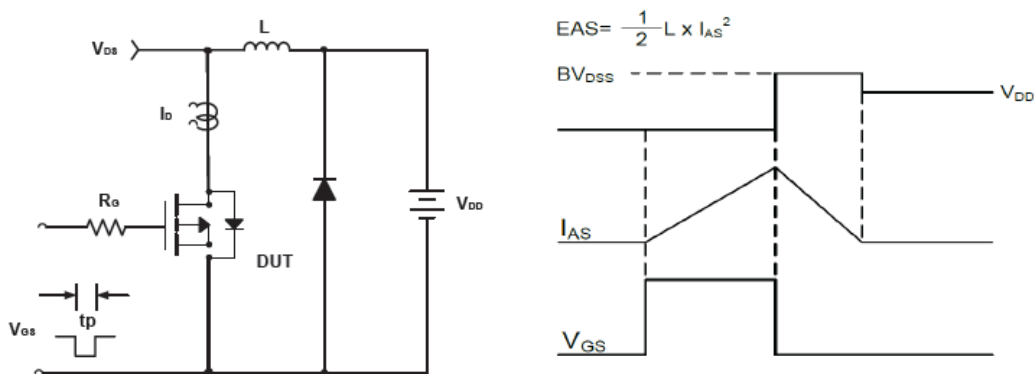
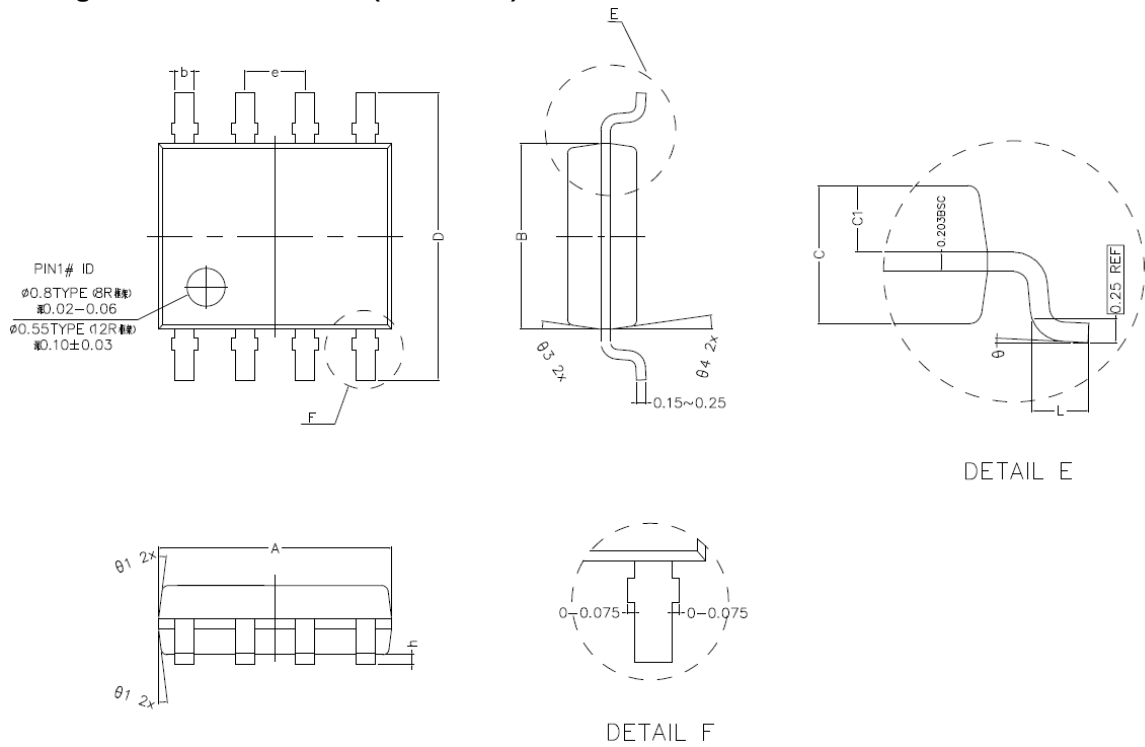


Figure C Unclamped Inductive Switching Circuit & Waveforms



-60V/-5A P-Channel Advanced Power MOSFET

SOP-8 Package Outline Dimensions (Units: mm)



COMMON DIMENSIONS (UNITS OF MEASURE IS mm)			
	MIN	NORMAL	MAX
A	4.800	4.900	5.000
B	3.800	3.900	4.000
C	1.350	1.450	1.550
C1	0.650	0.700	0.750
D	5.900	6.100	6.300
L	0.500	0.600	0.700
b	0.350	0.400	0.450
h	0.050	0.150	0.250
e	1.270TYPE		
θ_1	7° TYPE(8R)		12° TYPE(12R)
θ_2	7° TYPE(8R)		10° TYPE(12R)
θ_3	8° TYPE(8R)		12° TYPE(12R)
θ_4	8° TYPE(8R)		10° TYPE(12R)
θ	0° ~ 8°		