



60V/50A N-Channel Advanced Power MOSFET

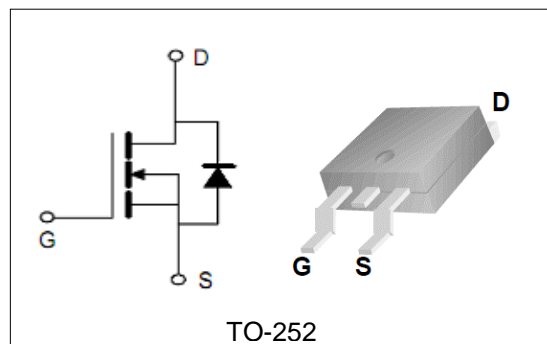
Features

- Improved dv/dt Capability, High Ruggedness.
- Maximum Junction Temperature Range (150°C)
- 100% Avalanche Tested

BVDSS	60	V
ID	50	A
RDSON@VGS=10V	13	mΩ

Applications

- Power factor correction (PFC)
- Switched mode power supplies(SMPS)
- Uninterruptible Power Supply (UPS)



Order Information

Product	Package	Marking	Reel Size	Reel	Carton
PTD50N06	TO-252	PTD50N06	13inch	2500PCS	50000PCS

Absolute Maximum Ratings

Symbol	Parameter	Rating	Unit	
Common Ratings (TC=25°C Unless Otherwise Noted)				
$V_{(BR)DSS}$	Drain-Source Breakdown Voltage	60	V	
V_{GS}	Gate-Source Voltage	±20	V	
T_J	Maximum Junction Temperature	150	°C	
T_{STG}	Storage Temperature Range	-55 to 150	°C	
I_S	Diode Continuous Forward Current	TC =25°C	50	A
Mounted on Large Heat Sink				
E_{AS}	Single Pulse Avalanche Energy (Note1)	300	mJ	
I_{DM}	Pulse Drain Current Tested (Silicon Limit) (Note2)	TC =25°C	200	A
I_D	Continuous Drain current	TC =25°C	50	A
P_D	Maximum Power Dissipation	TC =25°C	85	W
$R_{θjc}$	Thermal Resistance Junction-to-Case (Note3)	1.8	°C/W	



60V/50A N-Channel Advanced Power MOSFET

Symbol	Parameter	Condition	Min.	Typ.	Max.	Unit
Static Electrical Characteristics @ T_J = 25°C (unless otherwise stated)						
V _{(BR)DSS}	Drain- Source Breakdown Voltage	VGS=0V ID=250μA	60	--	--	V
I _{DSS}	Zero Gate Voltage Drain current	VDS=60V,VGS=0V	--	--	1	μA
I _{GSS}	Gate-Body Leakage Current	VGS=±20V,VDS=0V	--	--	±100	nA
V _{GS(TH)}	Gate Threshold Voltage	VDS=VGS,ID=250μA	1	1.6	2.5	V
R _{DS(ON)}	Drain-Source On-State Resistance (Note4)	VGS=10V, ID=20A	--	13	17	mΩ
Dynamic Electrical Characteristics @ T_J = 25°C (unless otherwise stated) (Note5)						
C _{iss}	Input Capacitance	VDS=30V,	--	2050	--	pF
C _{oss}	Output Capacitance	VGS=0V,	--	158	--	pF
C _{rss}	Reverse Transfer Capacitance	F=1MHz	--	120	--	pF
Q _g	Total Gate Charge	VDS=30V	--	50	--	nC
Q _{gs}	Gate-Source Charge	ID=20A	--	6	--	nC
Q _{gd}	Gate-Drain Charge	VGS=10V	--	15	--	nC
Switching Characteristics (Note5)						
t _{d(on)}	Turn-on Delay Time	VDD=30V,	--	7.4	--	nS
t _r	Turn-on Rise Time	RL=6.7Ω ,	--	5.1	--	nS
t _{d(off)}	Turn-off Delay Time	VGS=10V,	--	28.2	--	nS
t _f	Turn-off Fall Time	RG=3Ω	--	5.5	--	nS
Source- Drain Diode Characteristics @ T_J = 25°C (unless otherwise stated)						
V _{SD}	Forward on voltage	IS=20A,VGS=0V	--	--	1.2	V

Note:

- Limited by T_{Jmax}, starting T_J = 25° C, R_G = 25Ω, V_D =30V, VGS =10V. Part not recommended for use above this value.
- Repetitive Rating: Pulse width limited by maximum junction temperature.
- Surface Mounted on FR4 Board, t ≤ 10 sec.
- Pulse Test: pulse width ≤ 300 us, duty cycle ≤ 2%.
- Guaranteed by design, not subject to production testing.



60V/50A N-Channel Advanced Power MOSFET

Typical Characteristics

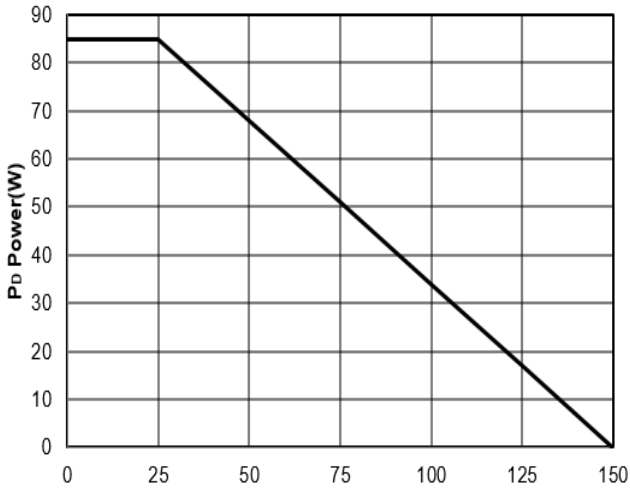


Figure1: Tj Junction Temperature (°C)

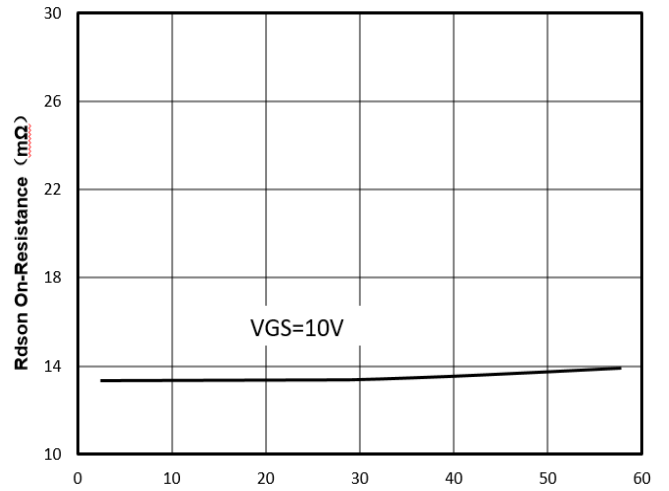


Figure2: Id Drain Current (A)

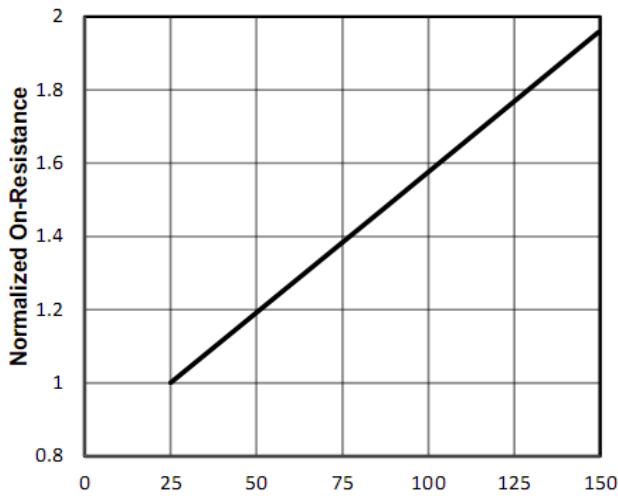


Figure3: Tj Junction Temperature (°C)

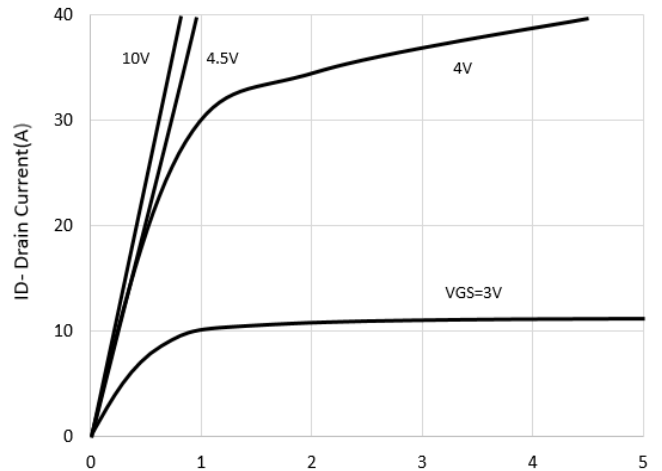


Figure4: Vds Drain-Source Voltage (V)

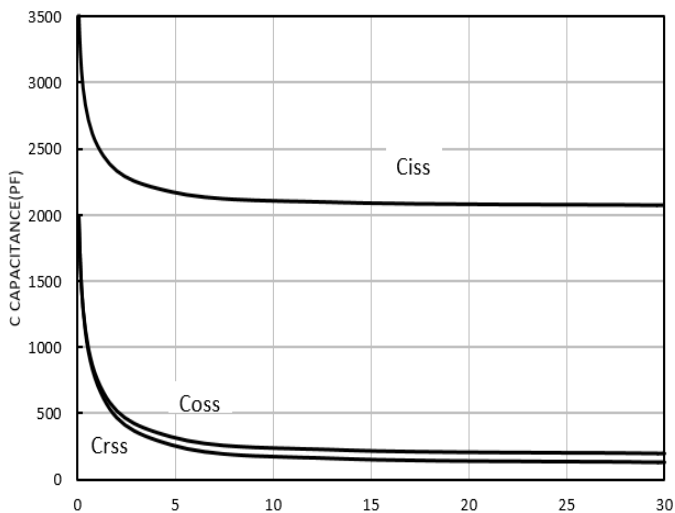


Figure5: Vds Drain-Source Voltage (V)

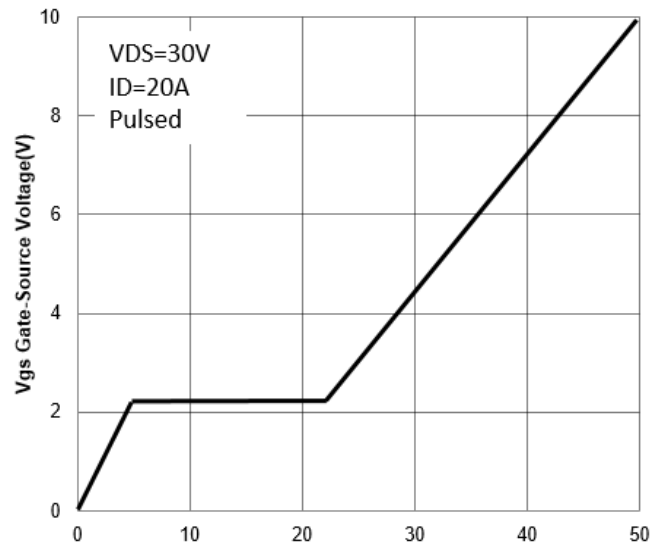


Figure6: Qg Gate Charge (nC)



60V/50A N-Channel Advanced Power MOSFET

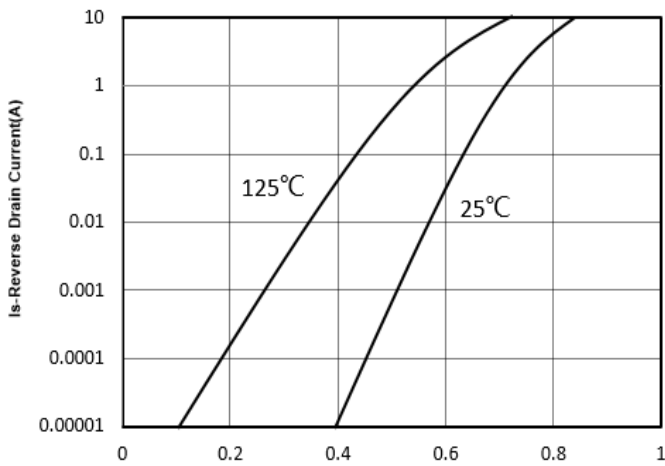


Figure7: Vsd Source-Drain Voltage (V)

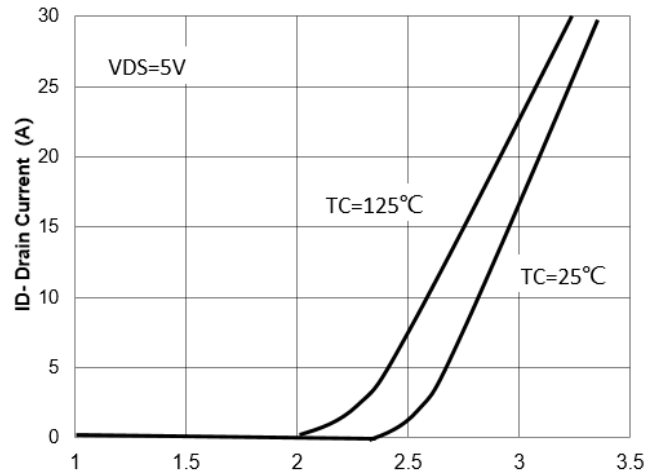


Figure8: Vgs Gate-Source Voltage (V)

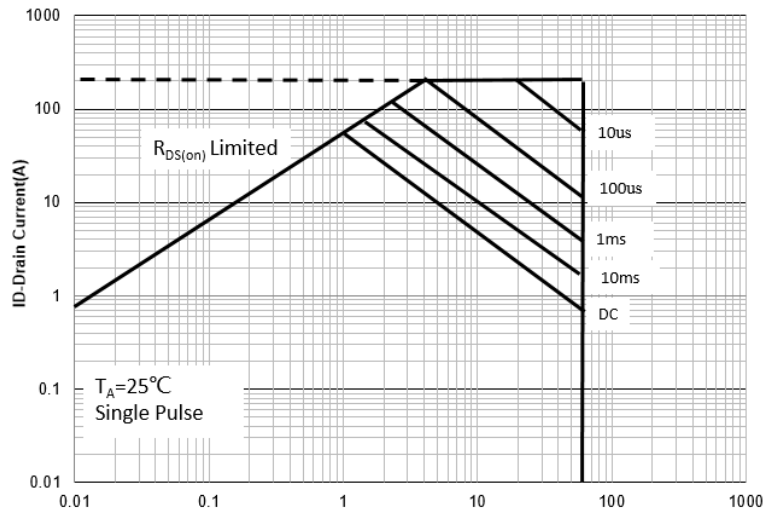


Figure9: Vds Drain -Source Voltage (V)

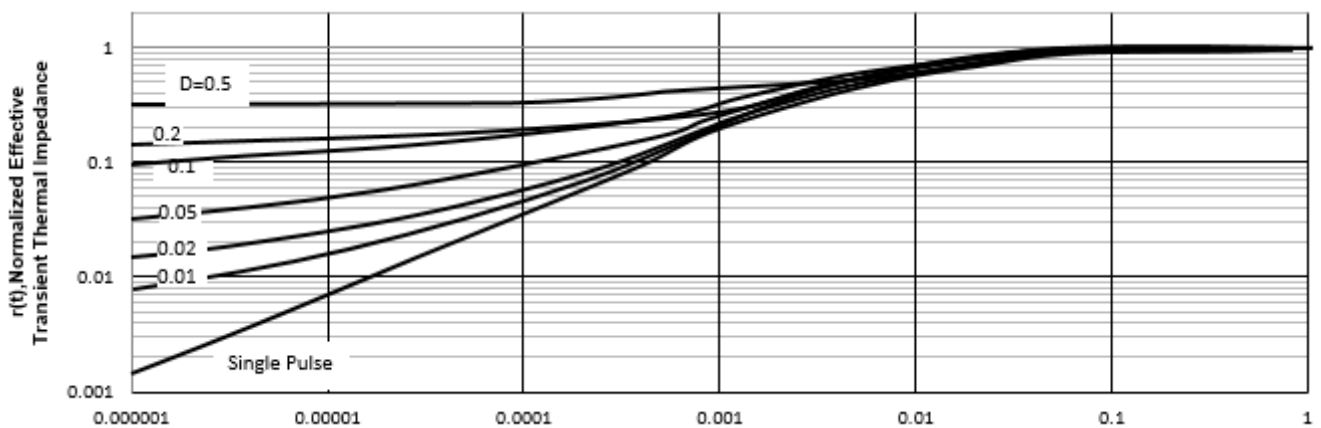
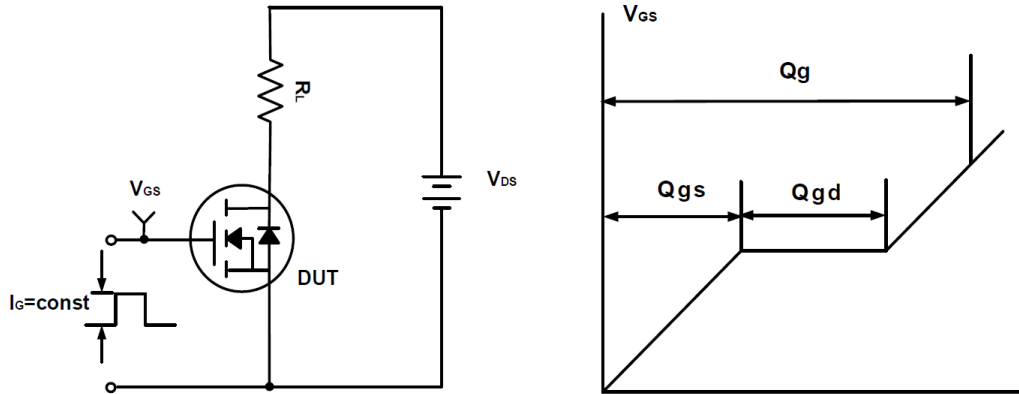
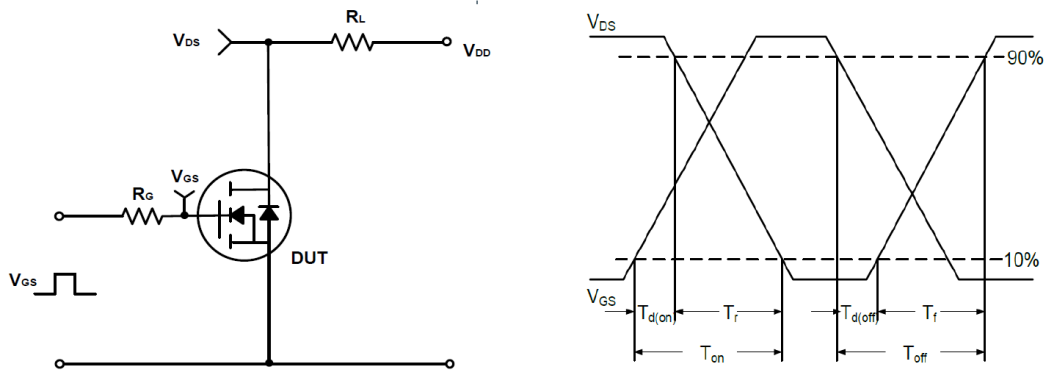
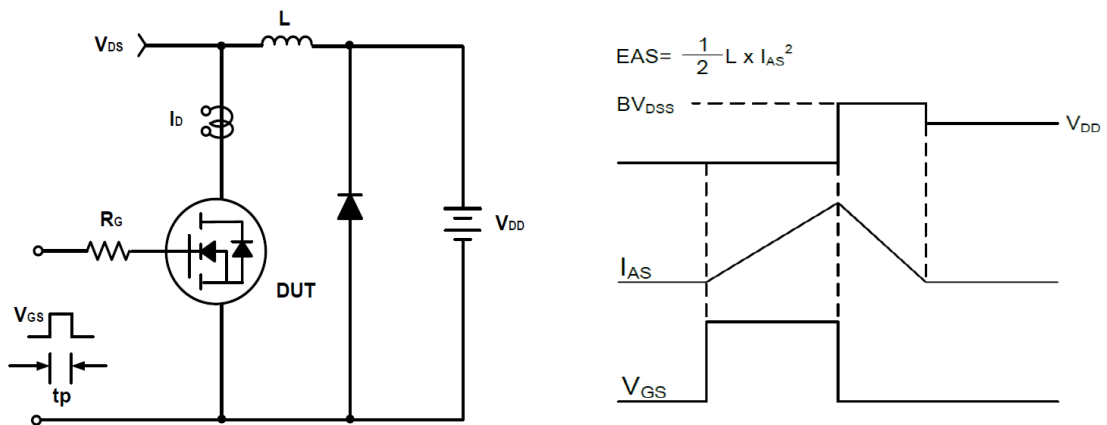


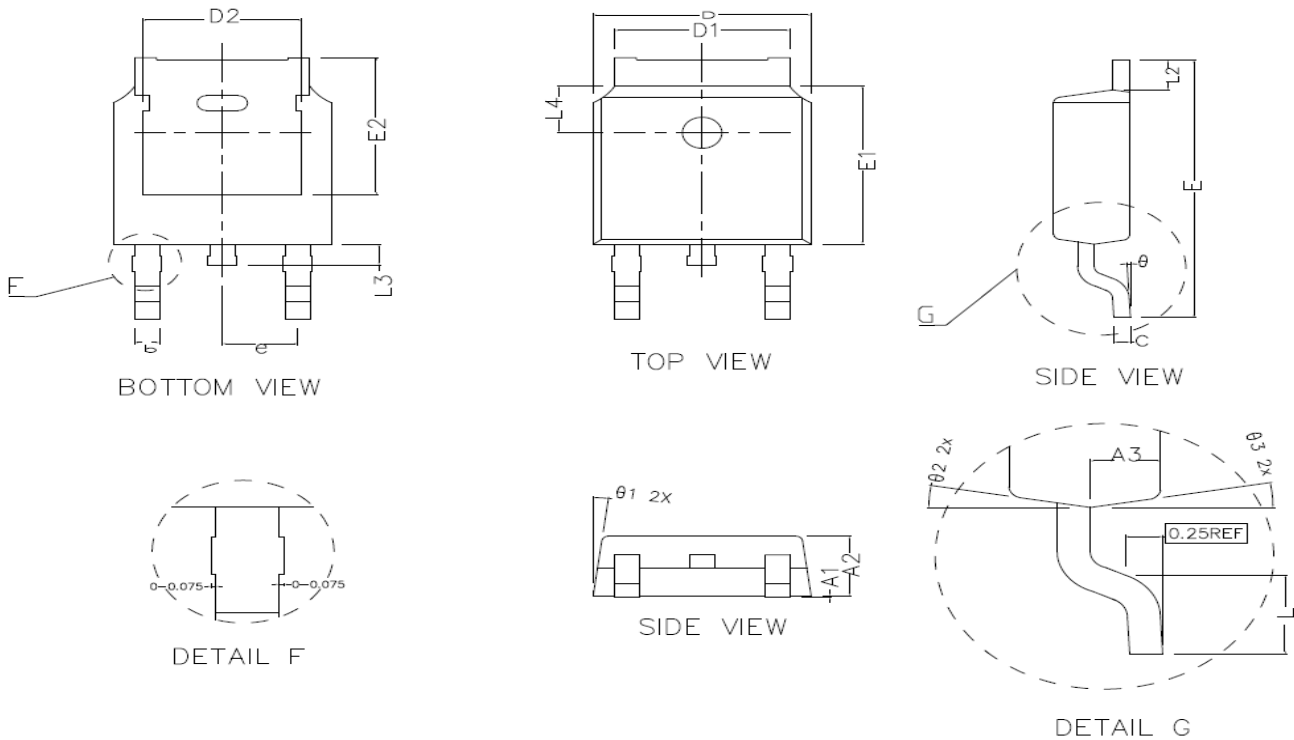
Figure10: Square Wave Pulse Duration (sec)

60V/50A N-Channel Advanced Power MOSFET
Test Circuit and Waveform:

Figure A Gate Charge Test Circuit & Waveforms

Figure B Switching Test Circuit & Waveforms

Figure C Unclamped Inductive Switching Circuit & Waveforms



60V/50A N-Channel Advanced Power MOSFET

TO-252 Package Outline Dimensions (Units: mm)



COMMON DIMENSIONS (UNITS OF MEASURE IS mm)			
	MIN	NORMAL	MAX
A1	0.000	0.100	0.150
A2	2.200	2.300	2.400
A3	1.020	1.070	1.120
b	0.710	0.760	0.810
c	0.460	0.508	0.550
D	6.500	6.600	6.700
D1	5.330REF		
D2	4.830REF		
E	9.900	10.100	10.300
E1	6.000	6.100	6.200
E2	5.600REF		
e	2.286TYPE		
L	1.400	1.550	1.700
L2	1.10REF		
L3	0.80REF		
L4	1.80REF		
θ	0~8°		
$\theta 1$	7° TYPE		
$\theta 2$	10° TYPE		
$\theta 3$	10° TYPE		